

ecomaxTM
by **HOBART**

Blue Badger



Blue Badger

Blue Badger are proud to present this incredible offer on **ecomax** warewashing equipment to our dealer network. For budget-oriented operators who seek a plus in comfort and equipment. The **ecomax plus** range combines all the features of a **ecomax** model and offers a plus in wash power, energy efficiency, noise reduction and ease of use.

G404W Compact Glasswasher

The fast and reliable glasswasher in compact design. Perfect for start-ups, small bars and restaurants.

Interest free credit available - enquire for more info



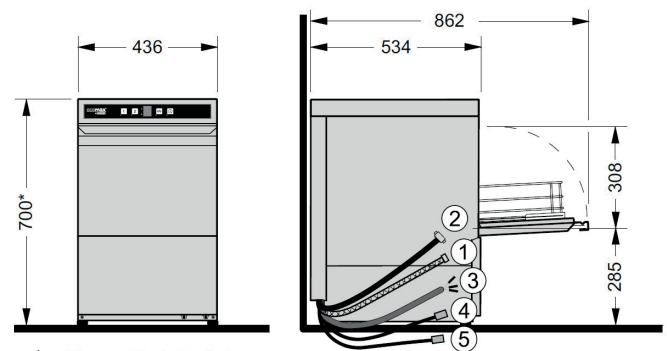
ECOMAX G404W Key Features

- Electronic control with digital temperature indication for easy operation
- Rotating wash and rinse arms for even water distribution
- Indented nozzles prevent blocking
- Integrated counter for cycles and water consumption, e.g. for control of water treatment system
- Deep drawn rack track for easy cleaning
- Includes connection cable, supply and drain hose for immediate operation
- Thermostop function for guaranteed temperatures
- Self flushing programme to maintain hygiene within the machine
- Includes rinse aid and detergent dispenser
- G404SW model equipped with additional integrated water softener

TECHNICAL SPECIFICATIONS

Rack size	390 x 390 mm
Dimensions	W435 x D534 x H700 mm
Cycle times	60 - 120 seconds
Racks per hour	60
Glass capacity	16 pints
Tank capacity	10 litres
Water consumption	2 litres per rack
Power consumption	2.1 kW
Power supply	230/1N 50Hz - Switchable on install
Warranty*	1 year parts and labour

MODEL DRAWINGS



* + 40 mm adjustable feet

- (1) Drain hose (2) Supply hose (3) Connection cable
(4) Liquid detergent (5) Rinse aid

G404W
£2,190 (List Price)

G404SW
£2,720 (List Price)

*All machines must have a suitable water softener. Warranty issues related to lime scale and or misuse are not covered under any circumstances.

G415W
Compact Glasswasher

The compact glasswasher for hotels, bars and restaurants, that are washing more than a hundred glasses a day.

Interest free credit available - enquire for more info



ECOMAX PLUS G415W
Key Features

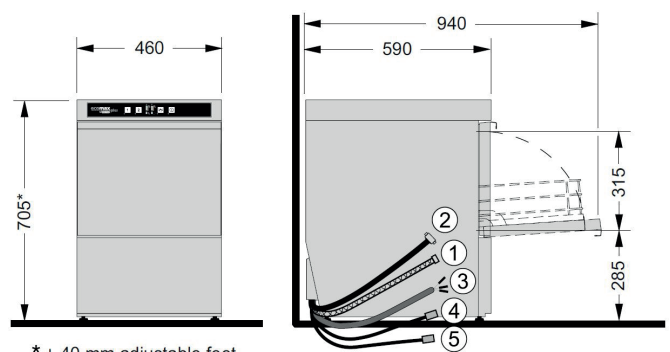
+ ADDITIONAL TO ECOMAX +

- Deep-drawn wash tank for easy cleaning
- Better energy efficiency saves operating costs
- Double-walled housing and heat insulated front door for reduction of noise and energy losses
- Tank strainer, coarse filter and pump suction casing secure safe operation
- Door damping control for long life operation
- Fully equipped with rinse pressure pump
- Optional cabinet base for ergonomic operation
- Optional external water treatment system
- G415SW model fully equipped with additional integrated water softener

TECHNICAL SPECIFICATIONS

Rack size	400 x 400 mm
Dimensions	W460 x D590 x H705 mm
Cycle times	60 - 180 seconds
Racks per hour	60
Glass capacity	18 pints
Tank capacity	8 litres
Water consumption	2.0 litres per rack
Power consumption	3.2 kW
Power supply	230/1N 50Hz - Switchable on install
Warranty*	1 year parts and labour

MODEL DRAWINGS



* + 40 mm adjustable feet

- (1) Drain hose (2) Supply hose (3) Connection cable
(4) Liquid detergent (5) Rinse aid

G415W
£4,040 (List Price)

G415SW
£4,460 (List Price)

*All machines must have a suitable water softener. Warranty issues related to lime scale and or misuse are not covered under any circumstances.

G504W Glasswasher

With a high capacity, this glasswasher is a reliable partner for club houses, bistros and fast food restaurants.

Interest free credit available - enquire for more info

ECOMAX G504W Key Features

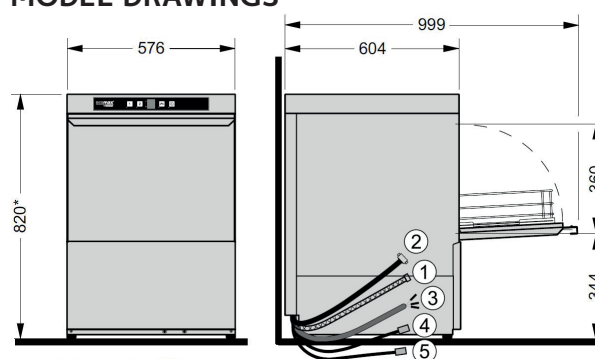
- Electronic control with digital temperature indication for easy operation
- Rotating wash and rinse arms for even water distribution
- Indented nozzles prevent blocking
- Integrated counter for cycles and water consumption, e.g. for control of water
- Deep drawn rack track for easy cleaning
- Includes connection cable, supply and drain hose for immediate operation
- Thermostop function for guaranteed temperatures
- Self flushing programme to maintain hygiene within the machine
- Fully equipped with rinse pressure pump, detergent and rinse aid dispenser
- G504SW model equipped with additional integrated water softner



TECHNICAL SPECIFICATIONS

Rack size	500 x 500 mm
Dimensions	W576 x D604 x H820 mm
Cycle times	60 - 150 seconds
Racks per hour	60
Glass capacity	25 pints
Tank capacity	25 litres
Water consumption	2.3 litres per rack
Power consumption	4.1 kW
Power supply	230/1N 50Hz - Switchable on install
Warranty*	1 year parts and labour

MODEL DRAWINGS



* + 40 mm adjustable feet

(1) Drain hose (2) Supply hose (3) Connection cable
(4) Liquid detergent (5) Rinse aid

G504W
£3,420 (List Price)

G504SW
£4,390 (List Price)

*All machines must have a suitable water softener. Warranty issues related to lime scale and or misuse are not covered under any circumstances.

G515W
Glasswasher

Due to a high wash power and double-walled housing, it is the quiet and resource-saving solution for your busy workday life.

Interest free credit available - enquire for more info



ECOMAX PLUS G515W
Key Features

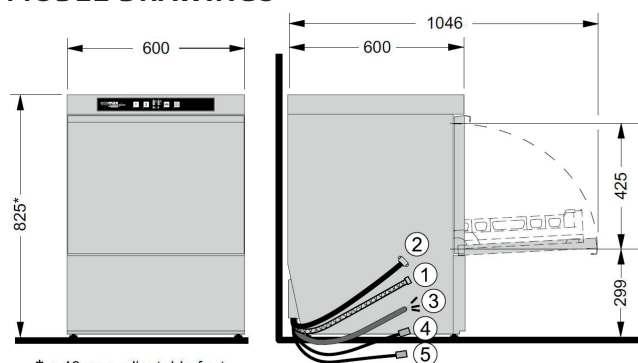
+ ADDITIONAL TO ECOMAX +

- Deep-drawn wash tank for easy cleaning
- Better energy efficiency saves operating costs
- Double-walled housing and heat insulated front door for reduction of noise and energy losses
- Tank strainer, coarse filter and pump suction casing secure safe operation
- Door damping control for long life operation
- Fully equipped with rinse pressure pump
- Optional cabinet base for ergonomic operation
- Optional external water treatment system
- G515SW model fully equipped with additional integrated water softner

TECHNICAL SPECIFICATIONS

Rack size	500 x 500 mm
Dimensions	W600 x D600 x H825 mm
Cycle times	60 - 180 seconds
Racks per hour	60
Glass capacity	25 pints
Tank capacity	10.6 litres
Water consumption	2.3 litres per rack
Power consumption	5.7 kW
Power supply	230/1N 50Hz - Switchable on install
Warranty*	1 year parts and labour

MODEL DRAWINGS



* + 40 mm adjustable feet

- (1) Drain hose (2) Supply hose (3) Connection cable
(4) Liquid detergent (5) Rinse aid

G515W
£4,580 (List Price)

G515SW
£5,440 (List Price)

*All machines must have a suitable water softener. Warranty issues related to lime scale and or misuse are not covered under any circumstances.

F504W Dishwasher

With a high capacity, this dishwasher is a reliable partner for club houses, bistros and fast food restaurants.

Interest free credit available - enquire for more info



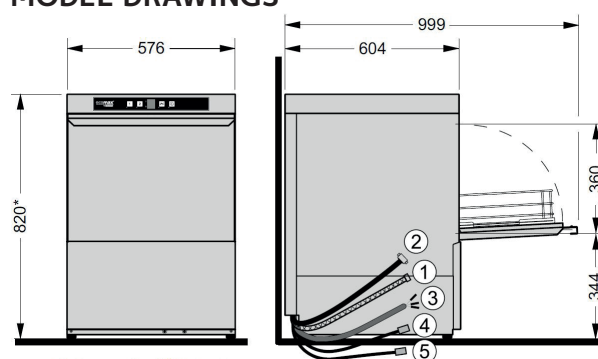
ECOMAX F504W Key Features

- Electronic control with digital temperature indication for easy operation
- Rotating wash and rinse arms for even water distribution
- Indented nozzles prevent blocking
- Integrated counter for cycles and water consumption, e.g. for control of water
- Deep drawn rack track for easy cleaning
- Includes connection cable, supply and drain hose for immediate operation
- Thermostop function for guaranteed temperatures
- Self flushing programme to maintain hygiene within the machine
- Fully equipped with rinse pressure pump, detergent and rinse aid dispenser
- F504SW model equipped with additional integrated water softner

TECHNICAL SPECIFICATIONS

Rack size	500 x 500 mm
Dimensions	W576 x D604 x H820 mm
Cycle times	60 - 150 seconds
Racks per hour	60
Plate capacity	18 plates
Tank capacity	25 litres
Water consumption	2.3 litres per rack
Power consumption	4.1 kW
Power supply	230/1N 50Hz - Switchable on install
Warranty*	1 year parts and labour

MODEL DRAWINGS



* + 40 mm adjustable feet

(1) Drain hose (2) Supply hose (3) Connection cable
(4) Liquid detergent (5) Rinse aid

F504W
£3,730 (List Price)

F504SW
£4,680 (List Price)

*All machines must have a suitable water softener. Warranty issues related to lime scale and or misuse are not covered under any circumstances.

F515W
Dishwasher

Due to a high wash power and double-walled housing, it is the quiet and resource-saving solution for your busy workday life.

Interest free credit available - enquire for more info



ECOMAX PLUS F515W
Key Features

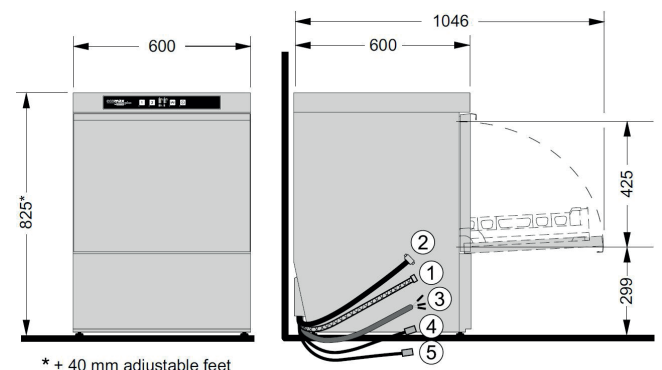
+ ADDITIONAL TO ECOMAX +

- Deep-drawn wash tank for easy cleaning
- Better energy efficiency saves operating costs
- Double-walled housing and heat insulated front door for reduction of noise and energy losses
- Tank strainer, coarse filter and pump suction casing secure safe operation
- Door damping control for long life operation
- Fully equipped with rinse pressure pump
- Optional cabinet base for ergonomic operation
- Optional external water treatment system
- F515SW model fully equipped with additional integrated water softener

TECHNICAL SPECIFICATIONS

Rack size	500 x 500 mm
Dimensions	W600 x D600 x H825 mm
Cycle times	60 - 180 seconds
Racks per hour	60
Plates capacity	18 plates
Tank capacity	10.6 litres
Water consumption	2.3 litres per rack
Power consumption	5.6 kW
Power supply	230/N 50Hz - Switchable on install
Warranty*	1 year parts and labour

MODEL DRAWINGS



* + 40 mm adjustable feet

- (1) Drain hose (2) Supply hose (3) Connection cable
(4) Liquid detergent (5) Rinse aid

F515W
£4,800 (List Price)

F515SW
£5,570 (List Price)

*All machines must have a suitable water softener. Warranty issues related to lime scale and or misuse are not covered under any circumstances.

H604W Passthrough Dishwasher

The dishwasher for ergonomic and efficient work processes in the kitchen - a powerful partner for the catering and hotel sector.

Interest free credit available - enquire for more info

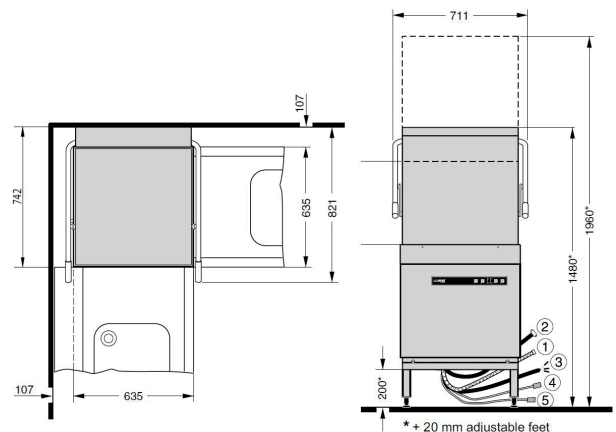


ECOMAX H604W Key Features

- The 4-sided closed hood keeps energy and humidity in the system and saves up to 3kW
- Electronic control with digital temperature indication for easy operation
- Rotating wash and rinse arms for even water distribution
- Indented nozzles prevent blocking
- Deep drawn rack track for easy cleaning
- Includes connection cable, supply and drain hose for immediate operation
- Thermostop function for guaranteed temperatures
- Self flushing programme to maintain hygiene within the machine
- Fully equipped with rinse pressure pump, detergent and rinse aid dispenser
- H604SW model equipped with additional integrated water softner

TECHNICAL SPECIFICATIONS

Rack size	500 x 500 mm
Dimensions (mm)	W635 x D740 x H1480 (H1960 open)
Cycle times	75 - 180 seconds
Racks per hour	48
Plate capacity	18 plates
Tank capacity	21 litres
Water consumption	2.8 litres per rack
Power consumption	7.0 kW
Power supply	400/3N 50Hz - Three phase hardwired
Warranty*	1 year parts and labour



- (1) Drain hose (2) Supply hose (3) Connection cable
(4) Liquid detergent (5) Rinse aid

H604W
£5,780 (List Price)

H604SW
£6,850 (List Price)

*All machines must have a suitable water softener. Warranty issues related to lime scale and or misuse are not covered under any circumstances.

H615W Passthrough Dishwasher

The dishwasher for ergonomic and efficient work processes in the kitchen - a powerful partner for the catering and hotel sector.

Interest free credit available - enquire for more info

ECOMAX PLUS H615W Key Features

+ ADDITIONAL TO ECOMAX +

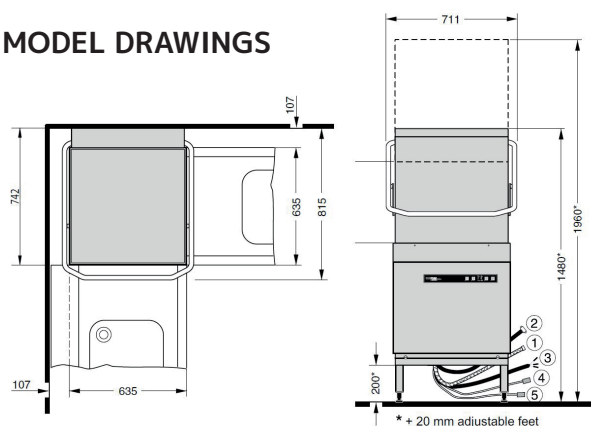
- Stronger wash pump for best wash results
- Shorter cycle times for higher capacities
- All around ergonomic handle
- The 4-sided closed hood keeps energy and humidity in the system and saves up to 3kW
- Electronic control with digital temperature indication for easy operation
- Rotating wash and rinse arms for an even water distribution
- Indented nozzles prevent blocking
- Includes connection cable, supply and drain hose for immediate operation
- Thermostop function for guaranteed temperatures
- H615SW model equipped with additional integrated water softner



TECHNICAL SPECIFICATIONS

Rack size	500 x 500 mm
Dimensions (mm)	W635 x D740 x H1480 (H1960 open)
Cycle times	60 - 180 seconds
Racks per hour	60
Plates capacity	18 plates
Tank capacity	23 litres
Water consumption	2.3 litres per rack
Power consumption	7.0 kW
Power supply	400/3N 50Hz - Three phase hardwired
Warranty*	1 year parts and labour

MODEL DRAWINGS



- (1) Drain hose (2) Supply hose (3) Connection cable
(4) Liquid detergent (5) Rinse aid

H615W
£7,430 (List Price)

H615SW
£8,240 (List Price)

*All machines must have a suitable water softener. Warranty issues related to lime scale and or misuse are not covered under any circumstances.

C805-A Conveyor Dishwasher

A conveyor warewasher that continually delivers great wash results - reliability you need when catering for so many.

Interest free credit available - enquire for more info



ECOMAX PLUS C805-A Key Features

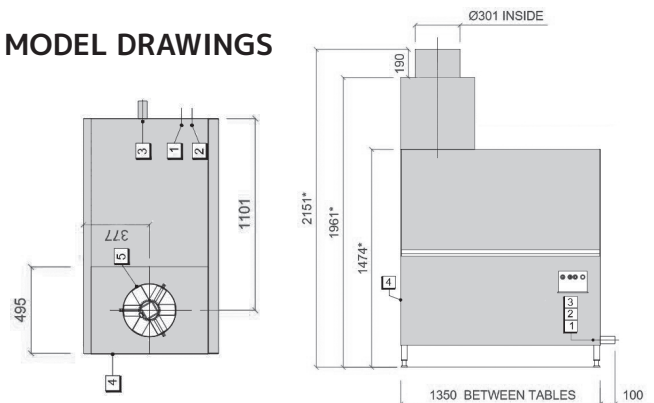
+ ADDITIONAL TO ECOMAX +

- Wash tank protected by full width strainer and separate soil basket
- Class A air gap as standard
- Stainless Steel wash arms fitted with indented anti-block jets and slider mechanism to open all wash pipes
- Blue markers for removable cleaning parts
- Optional dryer and heat recovery systems
- Double skinned with fully insulated floor
- Tabling options sold separately
- Supplied with integral fitted drain pump as standard
- Simple operation for filling, conveyor start and draining - easy to use and understand

TECHNICAL SPECIFICATIONS

Rack size	500 x 500 mm
Dimensions	W1350 x D785 x H1961 mm
Cycle times	75 - 150 seconds
Racks per hour	110
Plates capacity	18 plates
Tank capacity	105 litres
Water consumption	230 litres per hour
Power consumption	26.8 kW (water at 40°C)
Power supply	30 amp hard wired
Warranty*	1 year parts and labour

MODEL DRAWINGS



- (1) Fresh water for rinse (2) Water for tank fill
(3) Main machine drain (4) Electric loading
(5) Extract requirements

C805-A £18,210
List Price

*All machines must have a suitable water softener. Warranty issues related to lime scale and or misuse are not covered under any circumstances.

C805-EA
Conveyor Dishwasher

A conveyor warewasher that continually delivers great wash results - reliability you need when catering for so many.

Interest free credit available - enquire for more info

ECOMAX PLUS C805-EA
Key Features

+ ADDITIONAL TO ECOMAX +

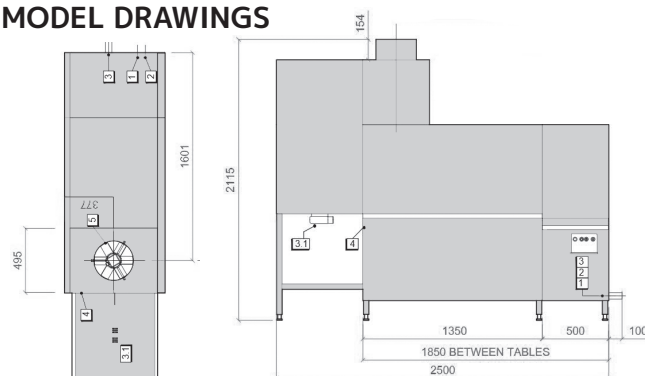
- Effective pre-wash feature for optimal wash results
- Wash tank protected by full width strainer and separate soil basket
- Class A air gap as standard
- Wash pump housing and impellor Stainless Steel for maximum reliability
- Optional dryer and heat recovery systems
- Double skinned with fully insulated floor
- Tabling options sold separately
- Supplied with integral fitted drain pump as standard
- Simple operation for filling, conveyor start and draining - easy to use and understand



TECHNICAL SPECIFICATIONS

Rack size	500 x 500 mm
Dimensions	W1850 x D785 x H1961 mm
Cycle times	75 - 150 seconds
Racks per hour	140
Plates capacity	18 plates
Tank capacity	105 litres
Water consumption	240 litres per hour
Power consumption	26.9 kW (water at 40°C)
Power supply	30 amp hard wired
Warranty*	1 year parts and labour

MODEL DRAWINGS



- (1) Fresh water for rinse (2) Water for tank fill
(3) Main machine drain (4) Electric loading
(5) Extract requirements

C805-EA £26,480
List Price

*All machines must have a suitable water softener. Warranty issues related to lime scale and or misuse are not covered under any circumstances.

ecomax[™]
by **HOBART**

Blue 
Badger



Blue 
Badger

Blue Badger are proud to present this incredible offer on **ecomax** warewashing equipment to our dealer network. For budget-oriented operators who seek a plus in comfort and equipment. The **ecomax plus** range combines all the features of a **ecomax** model and offers a plus in wash power, energy efficiency, noise reduction and ease of use.